

Narrow Web Cleaner Particulate Contamination Removal System

Applications

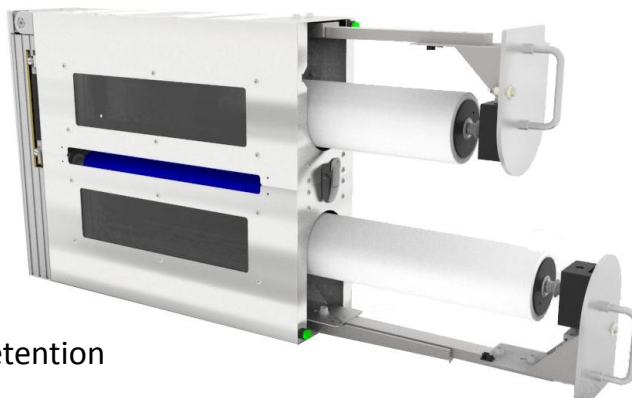
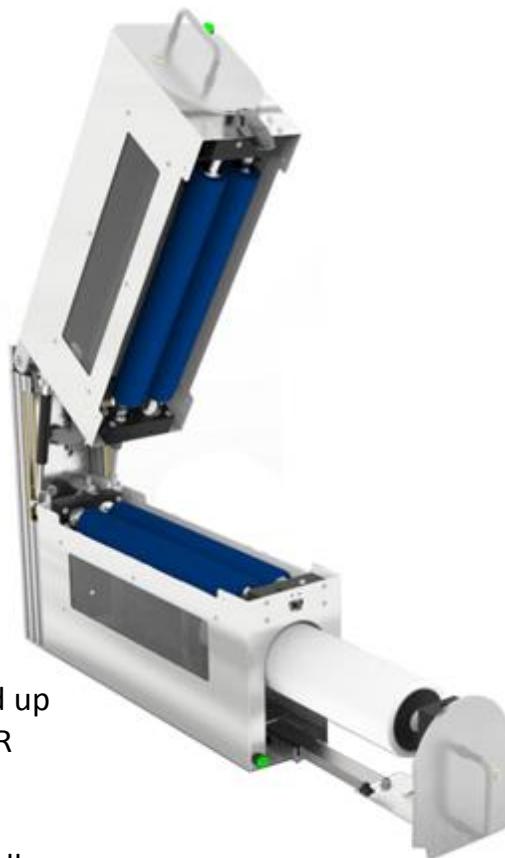
- Roll 2 Roll PCB production
- Narrow web printing
- Packaging
- Clean at unwind stage
- Before laminating
- Before printing / exposure
- Before rewind

Features

- Designed for 24/7 operation
- Max web speed, 250m/min
- Side pull adhesive roll access
- Tool free adhesive roll changeover
- Adhesive roll purge while cleaning
- Clam shell opening for easy maintenance and thread up
- 2 or 4 x 49mm diameter original **kmsuperblue**[™] PTR
- Cantilever or base plate mounting option
- Optional static control, passive or active
- Optimised for KSM SC-ARPS pre-sheeted adhesive rolls
- effective widths from 250mm – 650mm in 50mm increments
- Power – 24V DC (110/240VAC for active static neutralisation)

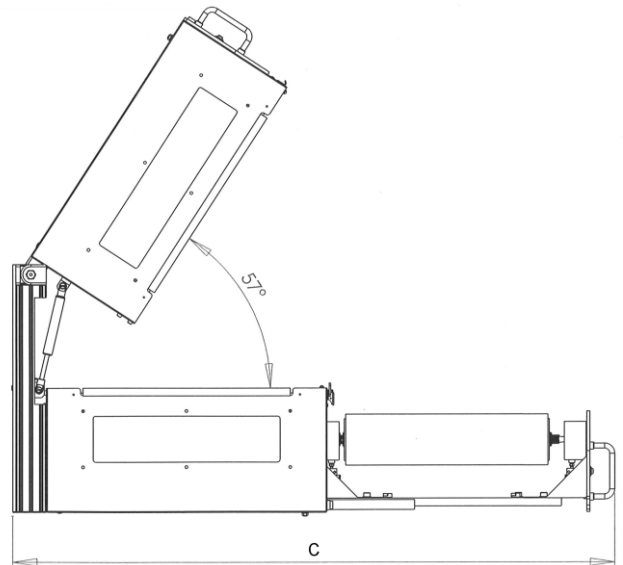
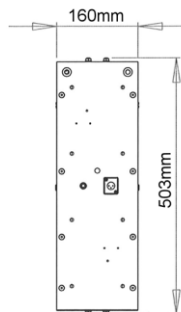
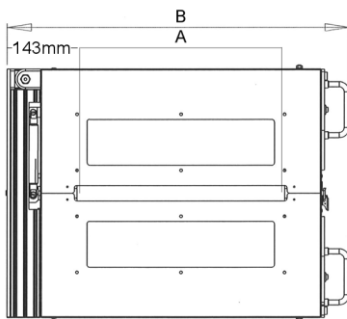
Benefits

- Better yields
- Better quality
- Continuous operation
- Low operator involvement
- Rapid payback
- Improved profitability
- Optimum particle collection and retention
- Static neutralisation system
- Even 1µm (0.00004") particulate permanently removed



Machine Dimensions

Cleaning widths::	A =	250	300	350	400	450	500	550	600	650mm
Pullout width:	C	892	992	1092	1192	1292	1392	1492	1592	1692mm
Overall width:	B =	A + 277mm								



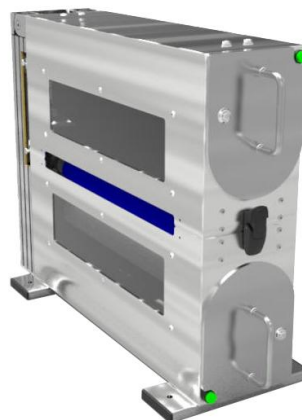
- 24V DC (line running signal)
- 110 / 240 V • 50 / 60 Hz (for active static neutralisation)
- 5-7 bar compressed air required

Options

- Particle transfer roller 'grab' level to suit material to be cleaned
- Static neutralisation, passive or active, single or double sided
- Cantilever or base plate mounting

Representative Office:

KSM Superclean Limited
Tel.: +44 (0)1563 497011
Fax: +44 (0)1563 851188
E-mail: sales@ksmsuperclean.com
www.ksmsuperclean.com



**STRONG
SIMPLE
RELIABLE**